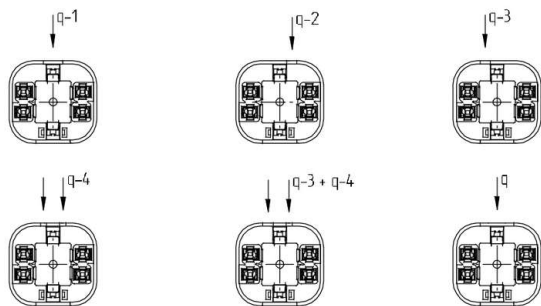
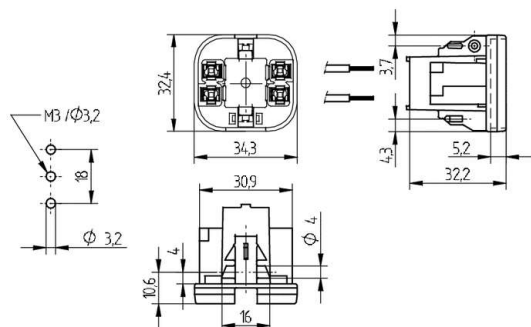


 Create pdf

Lampholders for compact fluorescent lamps

26.745.1201

G24 / GX24



colour	pkg.	wt.	part no.
white	250	10 g	26.745.1201.50

Key: q (without key)*




Approval: additional cULus

For lamps TC-DEL, TC-TEL

Screw fixing vertical or central rivet fixing

Housing: PBT

- Screw fixing: holes: $\phi 3.2$ mm for screws ISO 1207 - M3
- Rivet fixing: we recommend blind rivet $\phi 3.0$ mm according to DIN 7337 (Aluminium / Steel flat round head) max. pull force 500 N
- *Note: Whilst the version of the lampholder without key is designed and constructed to the same high quality standards as the approved versions, there is no valid approval available that we can apply for.

T 140		 0.5 - 1.0 mm ²	 18 AWG 0.5 - 1.0 mm ²
-------	---	--	--

Document generated on: Th, 9. February 2017 - 13:08